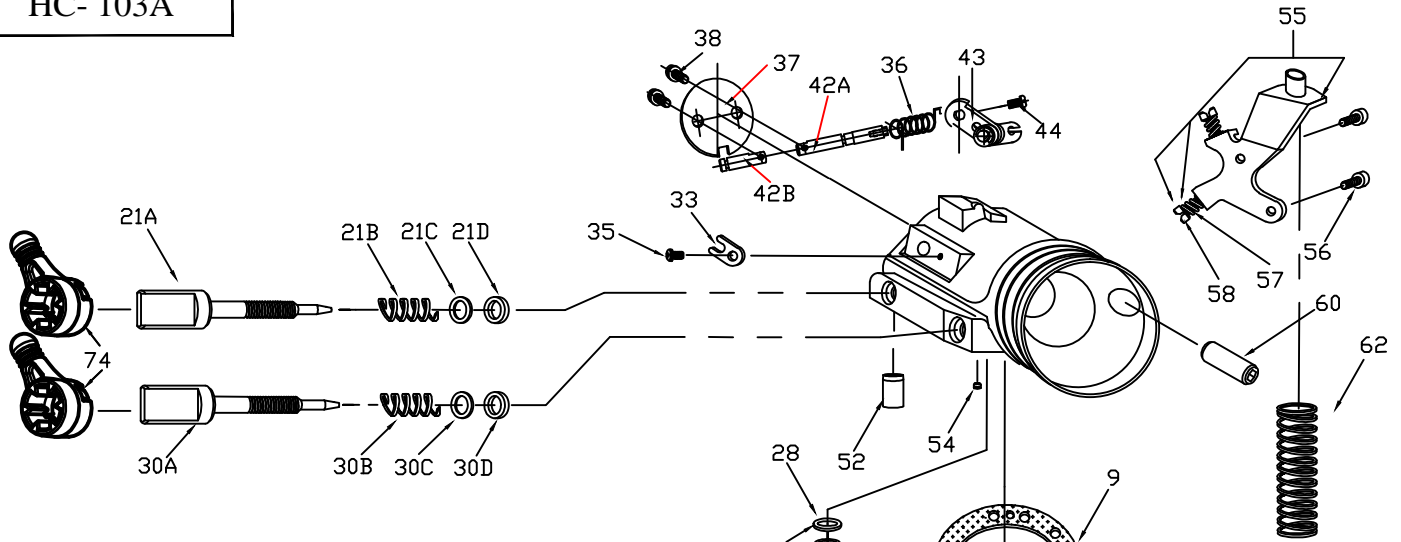
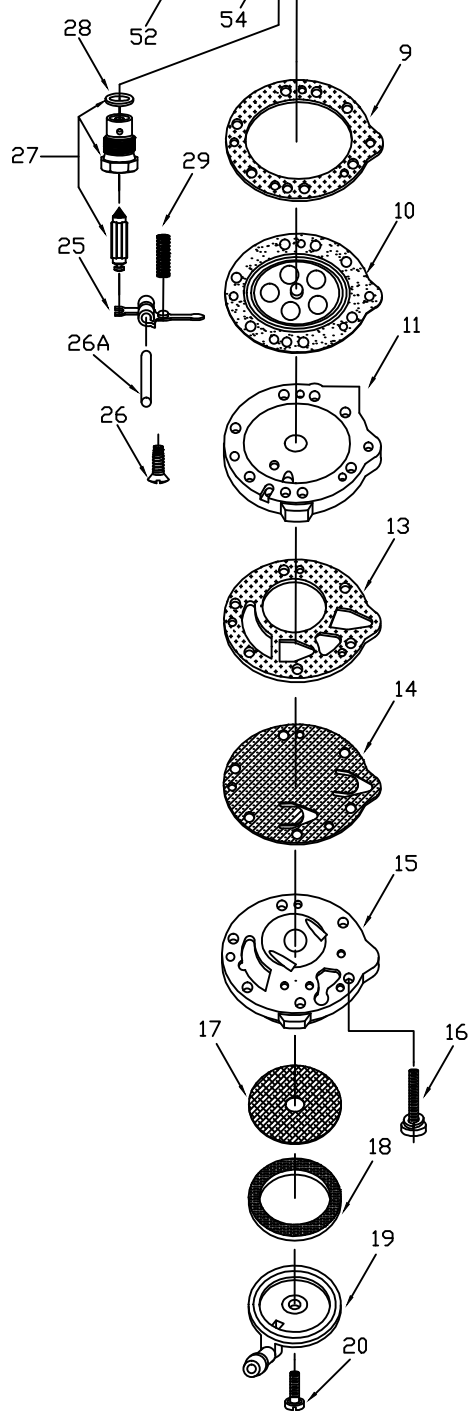


HC- 103A



REF:	PART NO:	PART DESCRIPTION
9	+ * 16B-217	DIAPHRAGM GASKET
10	+ * 237-600	DIAPHRAGM ASSEMBLY
11	91A -275	DIAPHRAGM COVER
13	+ * 16B-392	FUEL PUMP GASKET
14	+ * 237-162	FUEL PUMP DIAPHRAGM
15	141-89	FUEL PUMP BODY
16	15C-51	FUEL PUMP BODY SCREW (6-REQD)
17	95-170	FUEL STRAINER SCREEN
18	+* 16B-205	FUEL STRAINER COVER GASKET
19	91A-251	FUEL STRAINER COVER
20	15B-313	FUEL STRAINER COVER RETAINING SCREW
21A	43-1035	IDLE MIXTURE SCREW
21B	24B-449	IDLE MIXTURE SCREW SPRING
21C	78A-256	IDLE MIXTURE SCREW WASHER
21D	44-361	IDLE MIXTURE SCREW PACKING
25	* 155A-27	INLET CONTROL LEVER
26	15B-329	INLET CONTROL LEVER FULCRUM SCREW
26A	32-79	INLET CONTROL LEVER FULCRUM PIN
27	* 233-717P	INLET NEEDLE & SEAT SET
28	16B-199	INLET SEAT GASKET
29	24C-297	INLET TENSION SPRING
30A	43-1036	HIGH SPEED MIXTURE SCREW
30B	24B-449	HIGH SPEED MIXTURE SCREW SPRING
30C	78A-256	HIGH SPEED MIXTURE SCREW WASHER
30D	44-361	HIGH SPEED MIXTURE SCREW PACKING
33	29-224	THROTTLE SHAFT CLIP
35	15C-19	THROTTLE SHAFT CLIP RETAINING SCREW
36	24B-325	THROTTLE SHAFT RETURN SPRING
37	14 - A111	THROTTLE SHUTTER
38	15C-105	THROTTLE SHUTTER SCREW
42	13B - 219	THROTTLE SHAFT (SPLIT)
43	12 - 1220	THROTTLE LEVER ASSEMBLY
44	15C - 52	THROTTLE LEVER RETAINING SCREW
52	363 - 319	IDLE NOZZLE
54	80-160	MAIN PLUG (3-REQD)
55	136-562	CABLE BRACKET & LIMITER ASSEMBLY
56	15C - 67	CABLE BRACKET RETAINING SCREW (2-REQ)
57	15C - 9	LIMITER SCREW (2-REQD)
58	24B - 131	LIMITER SCREW SPRING (2-REQD)
60	81 - 377	CARBURETTOR MOUNTING NUT (2-REQD)
62	24-C-334	CABLE RETURN SPRING
74	SA - 503	NEEDLE ADJUSTMENT LEVER



RK-1HW	REPAIR KIT (STANDARD)
DG-1HW	DIAPHRAGM & GASKET SET (STANDARD)
233-717P	INLET NEEDLE & SEAT SET
OPTIONAL PARTS AVAILABLE	
14A	237- 223 X FUEL PUMP DIAPHRAGM (MYLAR) 10PACK
29A	24B-323 X INLET TENSION SPRING (26gram) 10 PACK
29B	24C-296 X INLET TENSION SPRING (31gram) 10 PACK
29C	24B-299 X INLET TENSION SPRING (37gram) 10PACK
29D	24C-298 X INLET TENSION SPRING (42gram) 10 PACK
29E	24 C-297 X INLET TENSION SPRING (46gram) 10 PACK
29F	24B-345 X INLET TENSION SPRING (48gram) 10 PACK
RK-2HW	REPAIR KIT (OPTIONAL MYLAR)
DG-2HW	DIAPHRAGM & GASKET SET (OPTIONAL MYLAR)
* INDICATES CONTENTS OF REPAIR KIT	
+ INDICATES CONTENTS OF DIAPHRAGM & GASKET SET	

FACTORY MAIN SETTING : 0 TURNS- 20 MIN. OPEN
 FACTORY IDLE SETTING : 2 TURN- 40 MIN. OPEN



TILLOTSON LTD.
 CLASH INDUSTRIAL ESTATE,
 TRALEE, CO. KERRY,
 IRELAND.

KARTING CLASS : KF-3 / 2013
 HOMOLIGATION NUMBER: CIK-FIA 19/C/21