

HL SERIES

DIAPHRAGM CARBURETTOR

APPLICATIONS

- Chain Saws (Professional)
- Cut-off Saws
- Fire Pumps
- Go-Karts
- Generators
- Marine Applications
- Golf Cart
- Miscellaneous

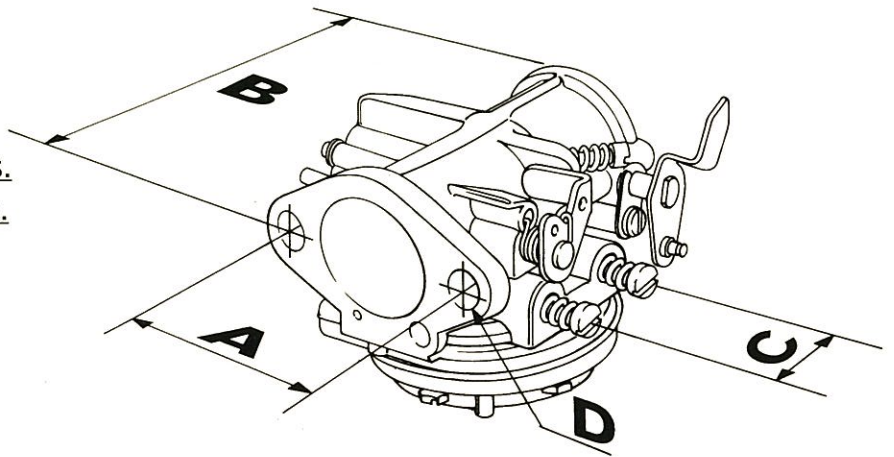
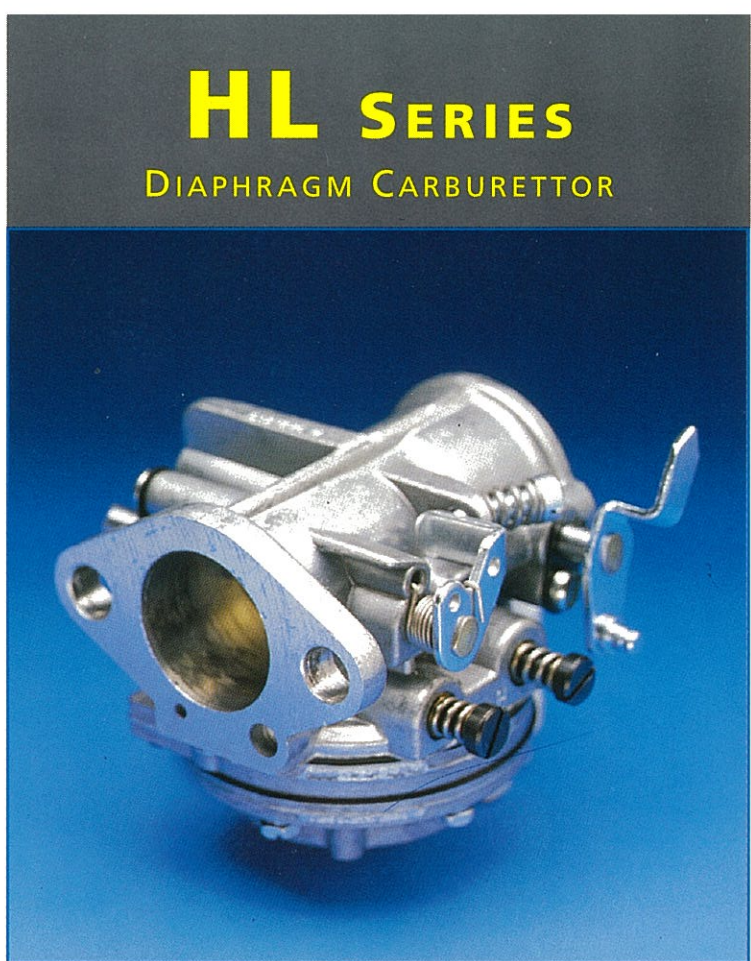
FEATURE OPTIONS

- Speed Governor Valve
- Double Pump Module
- Internal/External Pulse
- Independent/Dependent System
- Replacable Nickel-Plated Inlet Seat
- Part Throttle Jet
- Racing Venturi Profile
- Air Filter Adaption

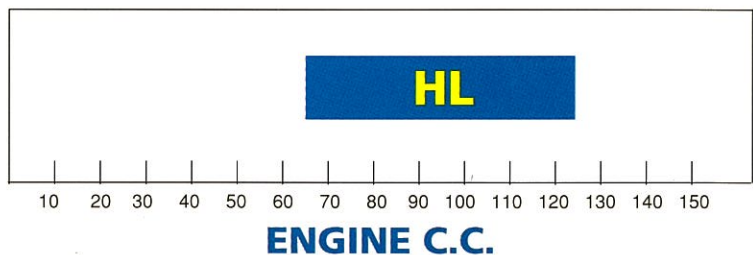
RANGE

TH. BORE 0.809 ~ 1.062 Ø ins.
 VENTURI 0.500 ~ 0.945 Ø ins.

A 1.8 ins.
 B 2.6 ins.
 C 0.78 ins.
 D 0.279 / 0.344 ins. Ø



- ALL POSITION
- OPTIMUM AIR FLOW
- LARGE PUMP CAPACITY



TILLOTSON LTD.

Clash Ind. Estate,
 Tralee, Co. Kerry.
 Ireland.

Telephone (Ireland):
 353-66-21911
 Fax (Ireland):
 353-66-24503

Telephone (USA):
 217-423-0066
 Fax (USA):
 217-423-0090