



HU SERIES

DIAPHRAGM CARBURETTOR

APPLICATIONS

- Chain Saws (Hobby/Farmer)
- Brush Cutters
- Hedge Trimmers
- Tillers
- Rock Drills
- Generators
- Weed Eaters
- Augers
- Model Aircraft/Cars

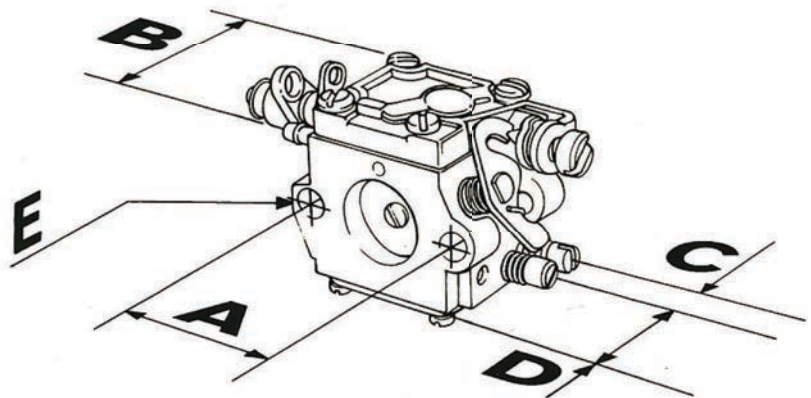
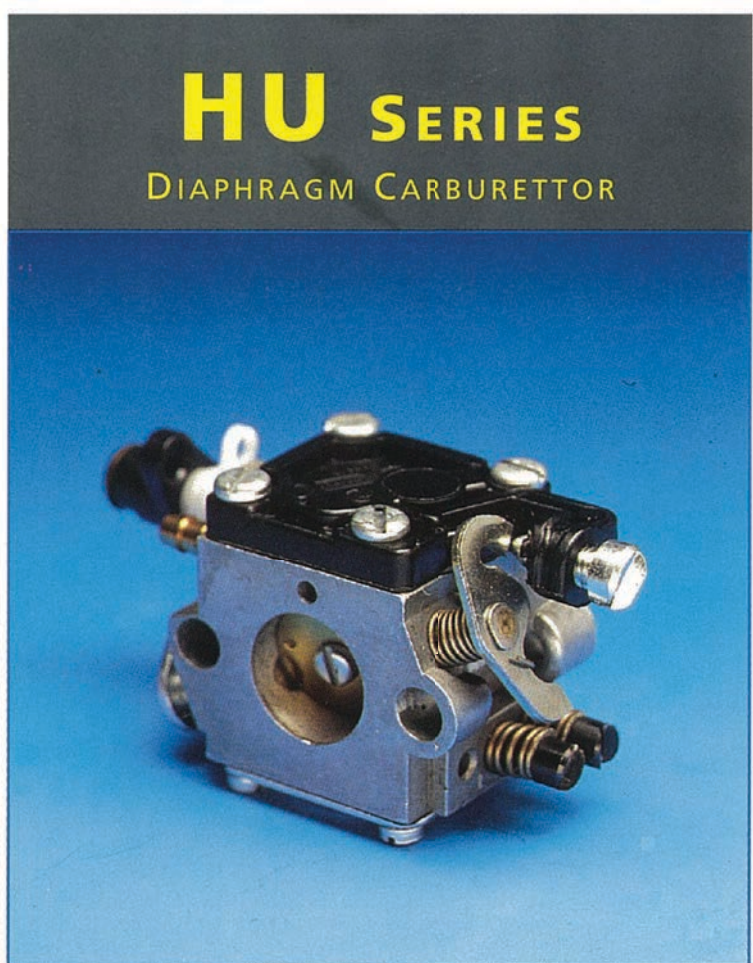
FEATURE OPTIONS

- Speed Governor Valve
- Internal/External Pulse
- Independent/Dependent Fuel System
- Injection/Butterfly Choke
- Nickel-Plated Inlet Seat
- Reverse Idle System
- Side Adjust Speed Screw
- Purge Primer

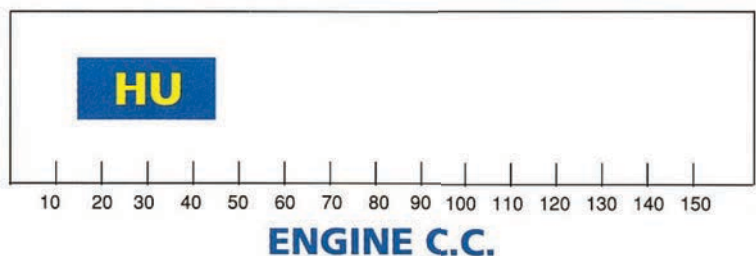
RANGE

TH. BORE 0.625 Ø ins.
 VENTURI 0.375 ~ 0.500 Ø ins.

- A 1.22 ins.
- B 1.13 ins.
- C 0.25 ins.
- D 0.56 ins.
- E 0.21 ins. Ø



- **MINIATURE**
- **ALL POSITION**
- **INTEGRAL PUMP**
- **LIGHT WEIGHT**
- **FEW PARTS**
- **EASY SERVICE**



Tillotson Limited

Clash Industrial Estate
 Tralee, Co. Kerry
 Ireland

Ireland: +353 66 716 2500
 USA: +1 217 421 7580
sales@tillotson.ie