

# HS SERIES

## DIAPHRAGM CARBURETTOR

### APPLICATIONS

- Chain Saws (Professional)
- Clearing Saws
- Pumps
- Generators
- Earth Compactors
- Rock Drills
- Cut-off Saws
- Drones
- Miscellaneous

### FEATURE OPTIONS

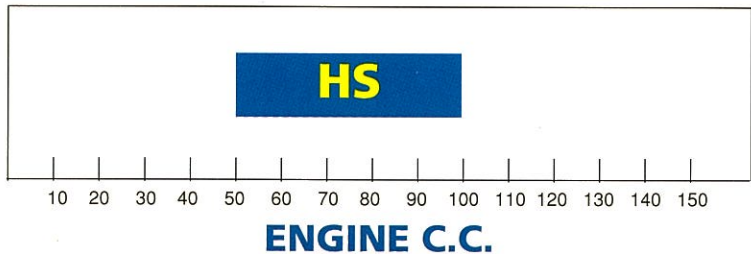
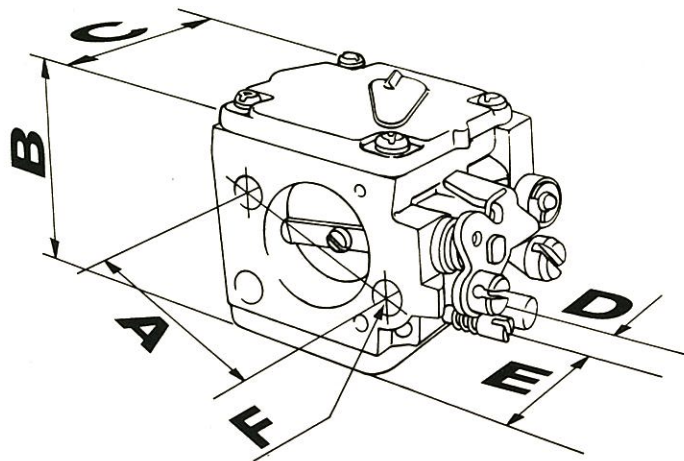
- Speed Governor Valve
- Internal/External Pulse
- Independent/Dependant Fuel Adjustment
- Butterfly/Injection Choke
- Nickel Plated Inlet Seat
- Remote Fixed Jet
- Part Throttle Jet
- Side Adjust/Wing Adjust Speed Screw
- Reverse Idle System

### RANGE

TH. BORE                    0.750 Ø ins.  
 VENTURI                  0.562 - 0.720 Ø ins.

A	1.22 ins.
B	1.70 ins.
C	1.51 ins.
D	0.234 ins.
E	0.646 ins.
F	0.21 ins. Ø

- ALL POSITION
- INTEGRAL PUMP
- EFFICIENT AIR FLOW
- EASY SERVICE



### TILLOTSON LTD.

Clash Ind. Estate,  
 Tralee, Co. Kerry.  
 Ireland.

Telephone (Ireland):  
 353-66-21911  
 Fax (Ireland):  
 353-66-24503

Telephone (USA):  
 217-423-0066  
 Fax (USA):  
 217-423-0090