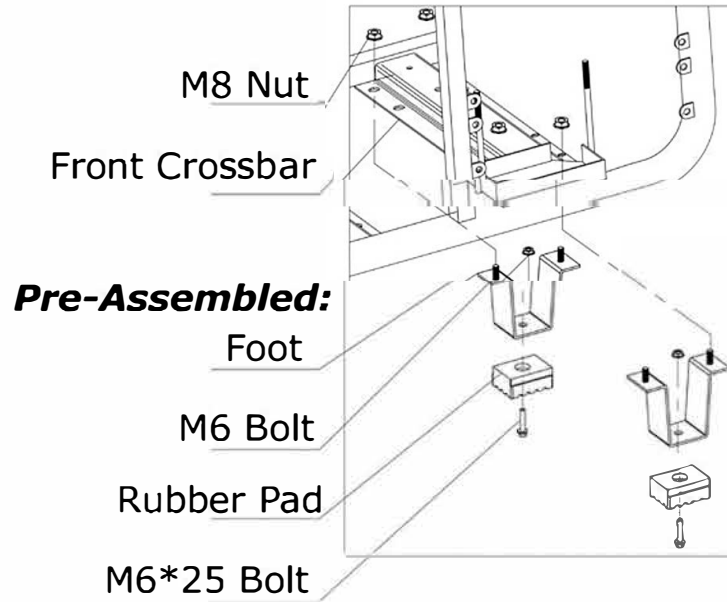
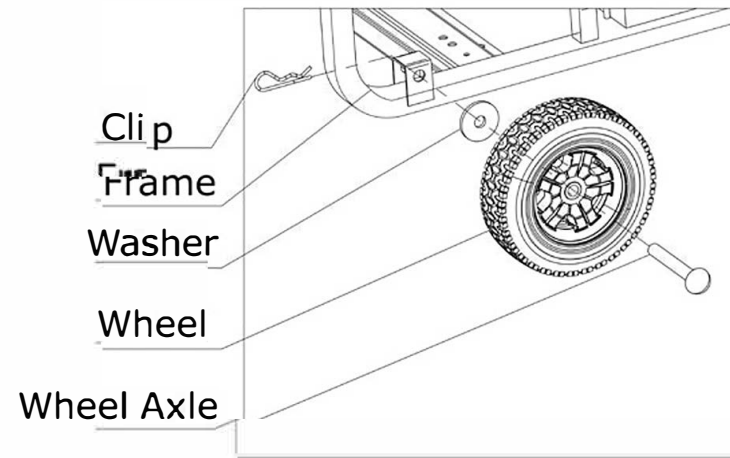


# Wheel Kit Assembly

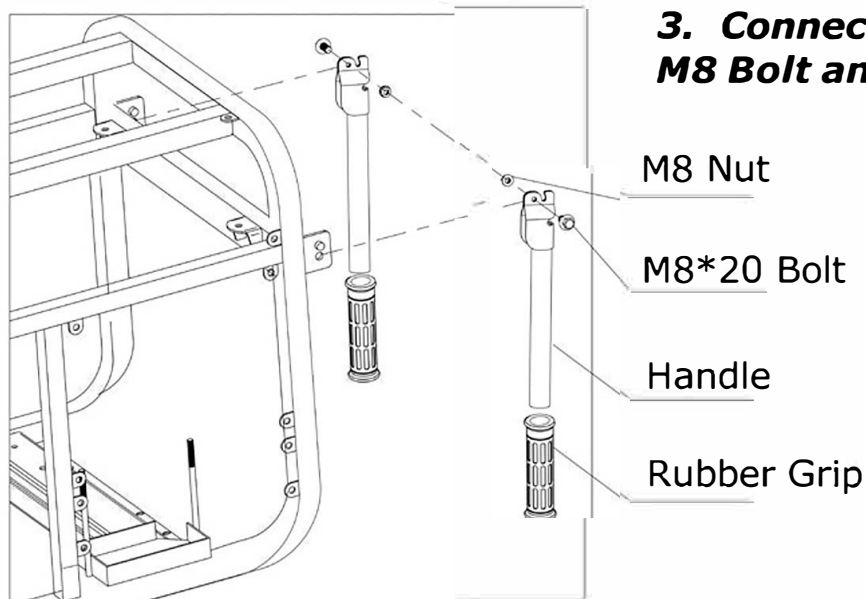
**1. Attach the pre-assembled feet to the front crossbar with the M8 Bolts.**



**2. Insert Axle through the wheel, washer and rear frame. Attach the retaining clip to the axle.**



**3. Connect each Handle with an M8 Bolt and Nut.**



**Visit our YouTube channel or website for a video tutorial:**

**YouTube: <https://www.youtube.com/watch?v=QpiCOWaPrI8>**

**Website: <http://tillotson.ie/product-category/generators/>**